

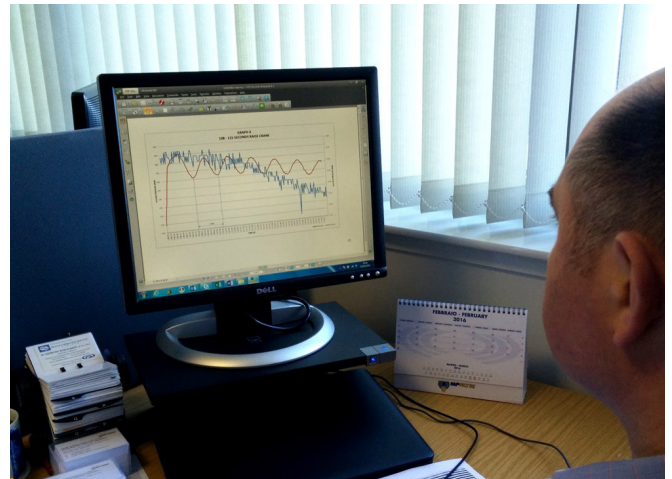
Hydraulic engineering, design and consultancy

Our hydraulic engineering capability underpins all of the fluid power services we offer and is also available as a stand-alone service.

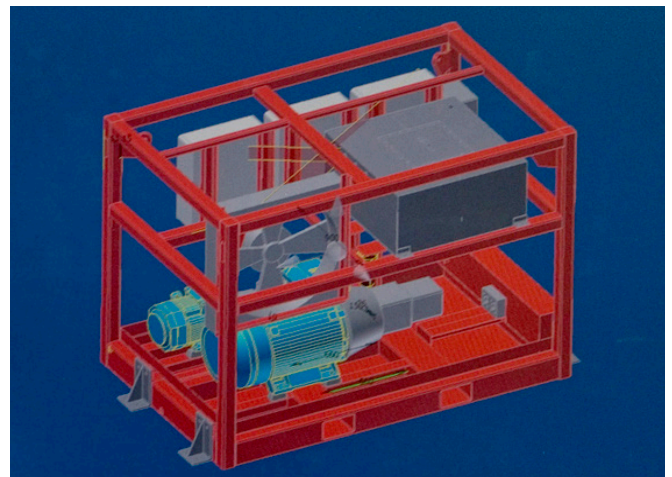
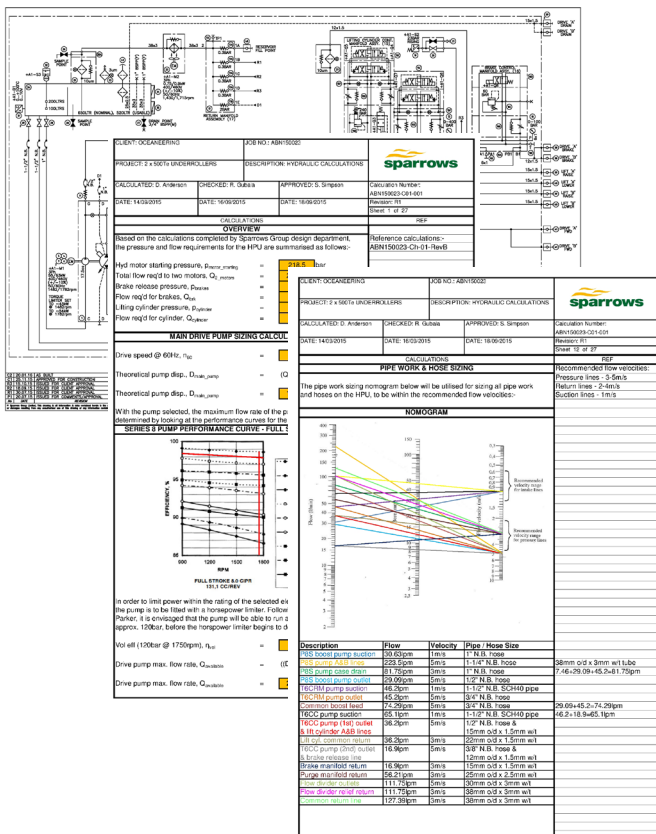
Sparrows' hydraulic engineering team has a wealth of experience and knowledge, backed up by industry-leading training and working relationships with major hydraulic OEM's.

Services

- Hydraulic system performance analysis and optimisation
- Fault-finding and troubleshooting
- Root cause analysis (RCA)
- Hydraulic system design, modification and upgrade
- Obsolescence reviews and solutions
- Feasibility studies
- Engineering surveys
- Preparation of engineering reports, calculations, drawings and technical manuals



System performance analysis



Hydraulic system design